

SERIES CX

STAINLESS STEEL SINGLE-IMPELLER SURFACE PUMPS



Single impeller pumps fully made of stainless steel suitable for domestic, agricultural and industrial applications. All parts which are in contact with the pumped liquid are in Aisi 304 stainless steel in order to grant a maximum hygiene and resistance against corrosion.

LIMITS OF USE:

Max Temperature of liquid: 90°C (60°C for CX/50, CX/80 and CX/100)
110 °C in H-HS versions

Max suction depth: 7 mt

CONSTRUCTION MATERIALS:

Pump body, impeller, diffusers: stainless steel Aisi304 (or Aisi 316L)

Motor shaft: stainless steel Aisi 303;

Motor casing and casing: alluminium

Mechanical seal: Cer/Car/NBR (standard)

Car/Car/FPM (H version)

Sic/Sic/FPM (HS version)

Tungsten Carb/Tungsten Carb/FPM (HW version)

ELECTRIC MOTOR:

- 2 poles, close type with external cooling fan, insulation class F, grade of protection IP55.

- Standard voltages: M = 230/240-50; T = 230/400-50

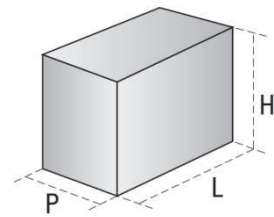
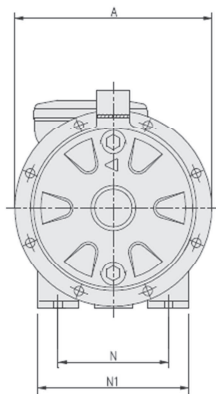
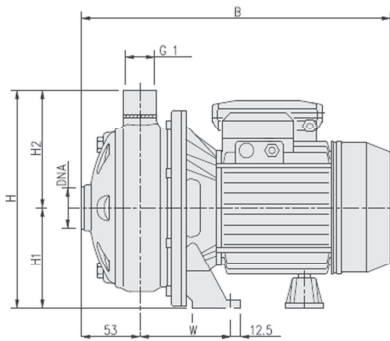
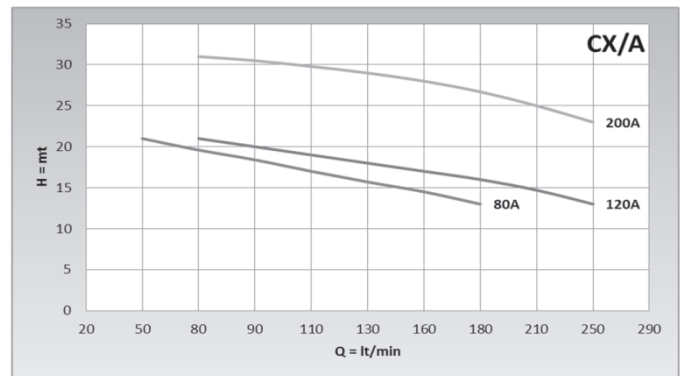
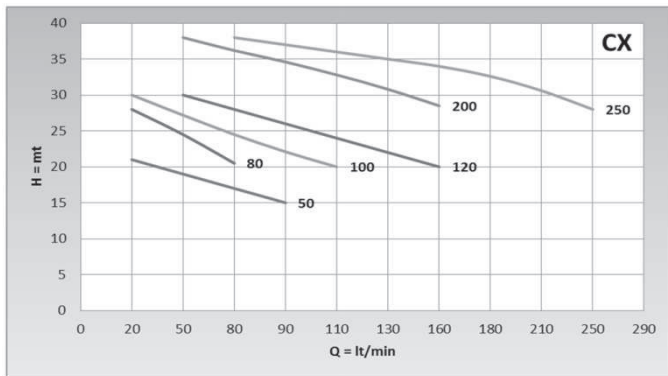
- Single phase motors is fitted with thermic microswitches to avoid damages to the motor. The protection of three-phase motors have to be arranged by the user.

- Different voltages and frequency available on request

SERIES CX

STAINLESS STEEL SINGLE-IMPELLER SURFACE PUMPS

MOD.	POWER		CAPACITOR	ABSORBED AMP.			Q = DELIVERY												
	HP	KW		230V-M	230V-T	400V-T	M3/H	1.2	3	4.8	5.4	6.6	7.8	9.6	10.8	12.6	15		
			MF/450V				LT/MIN	20	50	80	90	110	130	160	180	210	250		
CX/50	0.5	0.37	12.5	3.4	2.4	1.4	H = MT	21	18	16	15								
CX/80	0.8	0.55	16	4.5	3.5	2.0		28	25	21									
CX/100	1	0.75	20	5.6	3.3	1.9		30	27	24	22	20							
CX/80A	0.8	0.55	16	4.6	3.2	1.9			21	19	18	17	16	14	13				
CX/120	1.2	0.9	31.5	6.9	4.5	2.6			30	27	26	24	22	20					
CX/200	2	1.5	40	9.3	7.0	4.0			38	35	34	33	31	28					
CX/120A	1.2	0.9	31.5	6.3	4.3	2.5				21	20	19	18	17	16	15	13		
CX/200A	2	1.5	40	10.2	7.4	4.3				31	31	30	29	28	27	25	23		
CX/250	2.5	1.8	-		8.7	5.0				38	37	36	35	34	33	31	28		



TYPE	A mm	B mm	H mm	H1 mm	H2 mm	N mm	N1 mm	W mm	DNA	DNM	L mm		H mm		P mm		KG
											M	T	M	T	M	T	
CX/50	208	321	229.5	106	123.5	120	160	93	1" 1/4	1"	335	336	280	280	227	227	9
CX/80	208	321	229.5	106	123.5	120	160	93	1" 1/4	1"	335	336	280	280	227	227	10.5
CX/100	208	321	229.5	106	123.5	120	160	93	1" 1/4	1"	335	336	280	280	227	227	12
CX/80A	208	321	229.5	106	123.5	120	160	93	1" 1/4	1"	335	336	280	280	227	227	10.5
CX/120	208	321	229.5	106	123.5	120	160	93	1" 1/4	1"	335	372	280	289	227	239	12.5
CX/200	232	347	250	118	132	140	180	95	1" 1/4	1"	360	372	315	289	245	239	17.5
CX/120A	208	321	229.5	106	123.5	120	160	93	1.5"	1"	332	372	280	289	218	239	16.5
CX/200A	208	347	229.5	106	123.5	140	180	95	1.5"	1"	375	372	315	289	250	239	15.5
CX/250	232	347	250	118	132	140	180	95	1.5"	1"	-	380	-	305	-	245	17